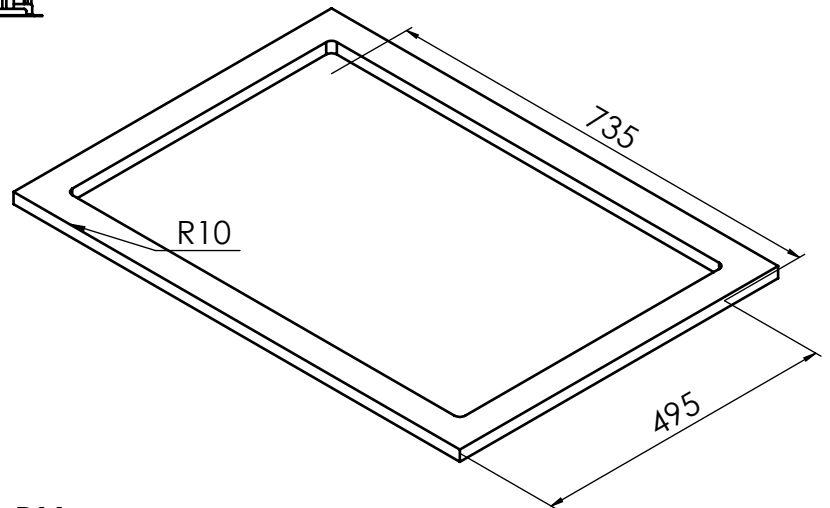
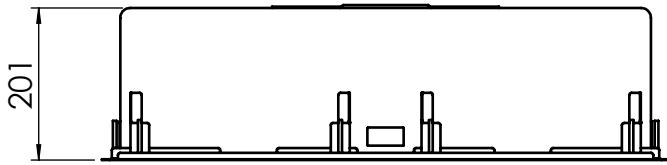


Installazione slim

foro incasso:
735x495 R10 mm
base 800 mm

Flat-mounted installation
built-in fitting hole:

735x495 R10 mm
cabinet 800 mm



Installazione filotop

foro incasso: 735x495 R10 mm
abbassamento filotop:
751x511x1,5 R11 mm
base 800 mm

Flush installation
built-in fitting hole:
735x495 R10 mm
filotop lowering:
751x511x1,5 R11 mm
cabinet 800 mm

